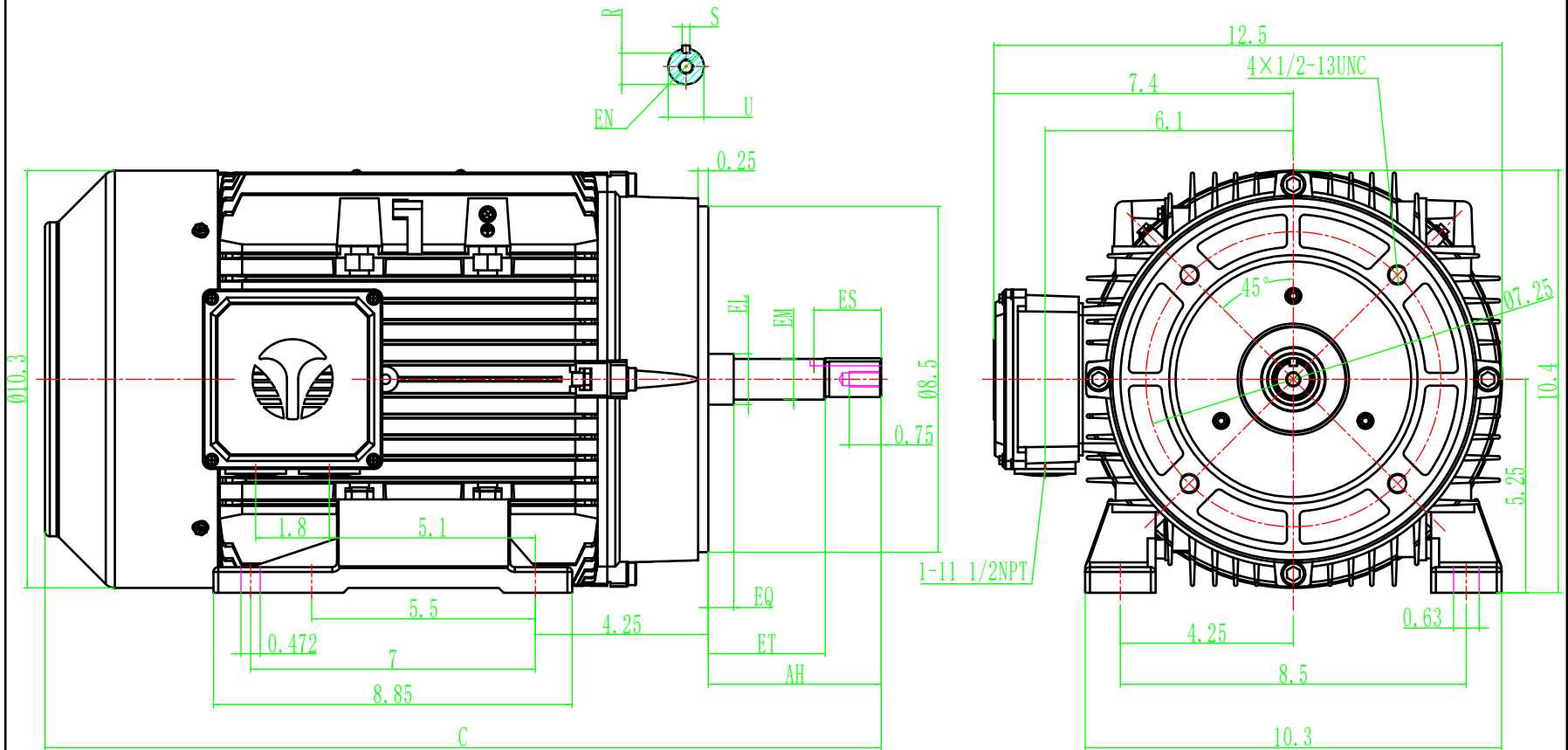


FRAME: HP: RPM: PHASE: VOLT: ENCL: FREQ: FLA: LRA:



MODEL	AH	EQ	ET	C	EL	EM	EN	ES	U	R	S
210JM	4.25	0.625	2.875	20.6	1.25	1.0	3/8-16UNC	1.65	0.8745	0.771	0.1875x0.1875x1.375
210JP	8.125	2.375	5.875	24.5	1.75	1.375	1/2-13UNC	2.53	1.2495	1.112	0.25x0.25x2.41



MODEL: NEMA210JM-JP
REV.DESC:

SCALE: 1:2.5
VERSION:

DATE:
REVISED:

UNITS:
BY:

WWW.TECHTOP.COM